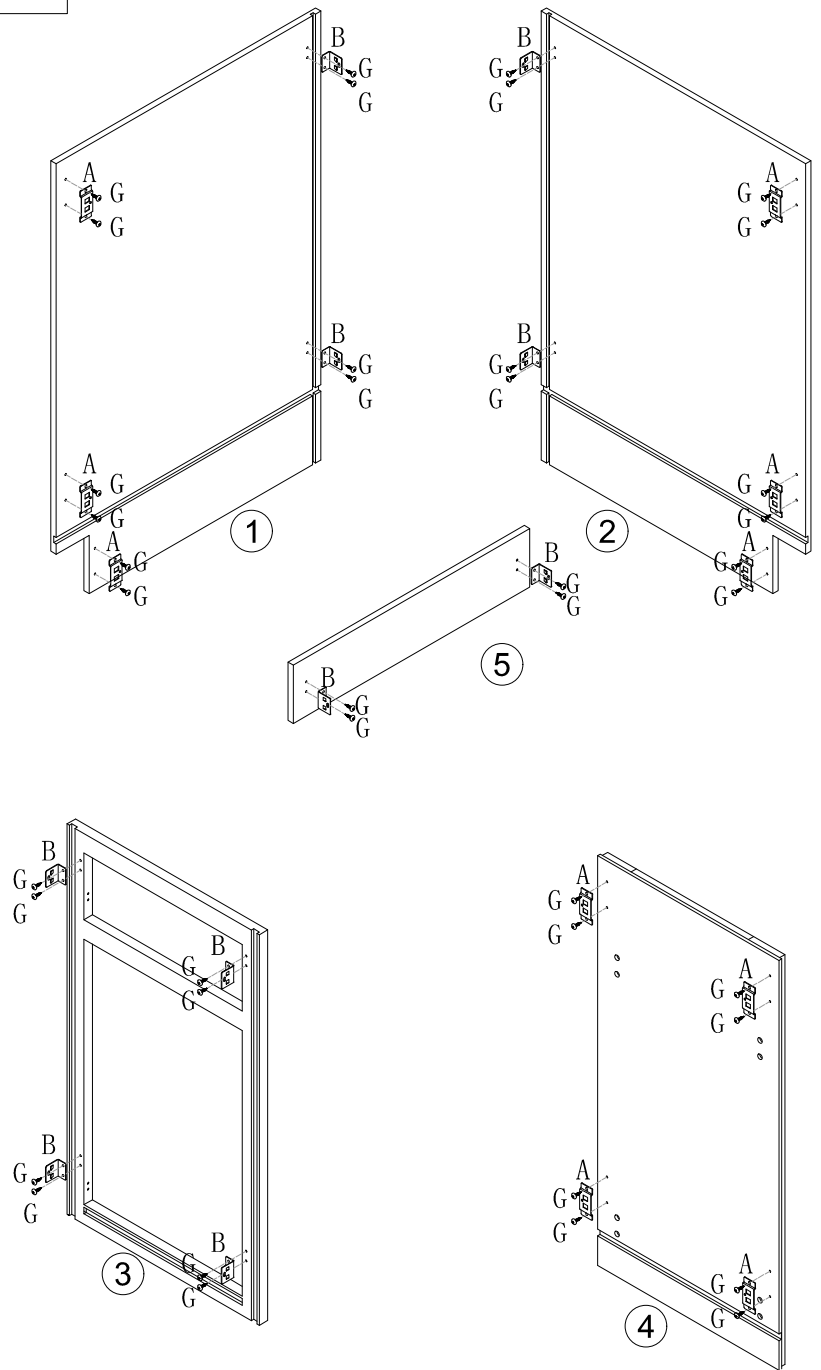
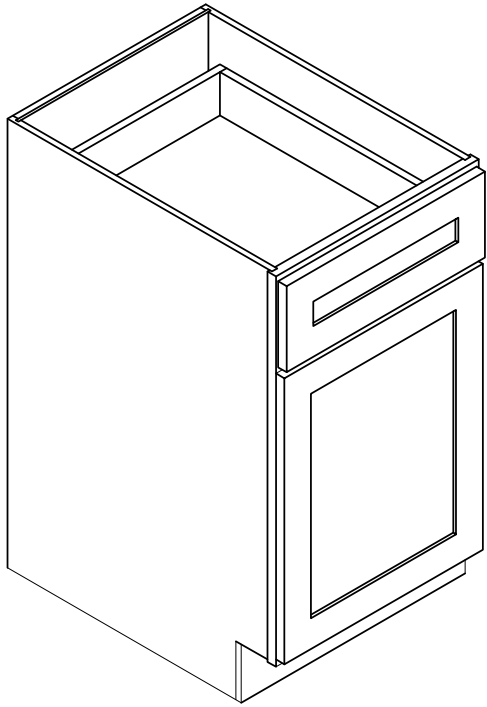


ASSEMBLY INSTRUCTIONS

2DB18

Step 1

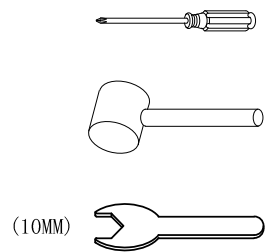


Parts list

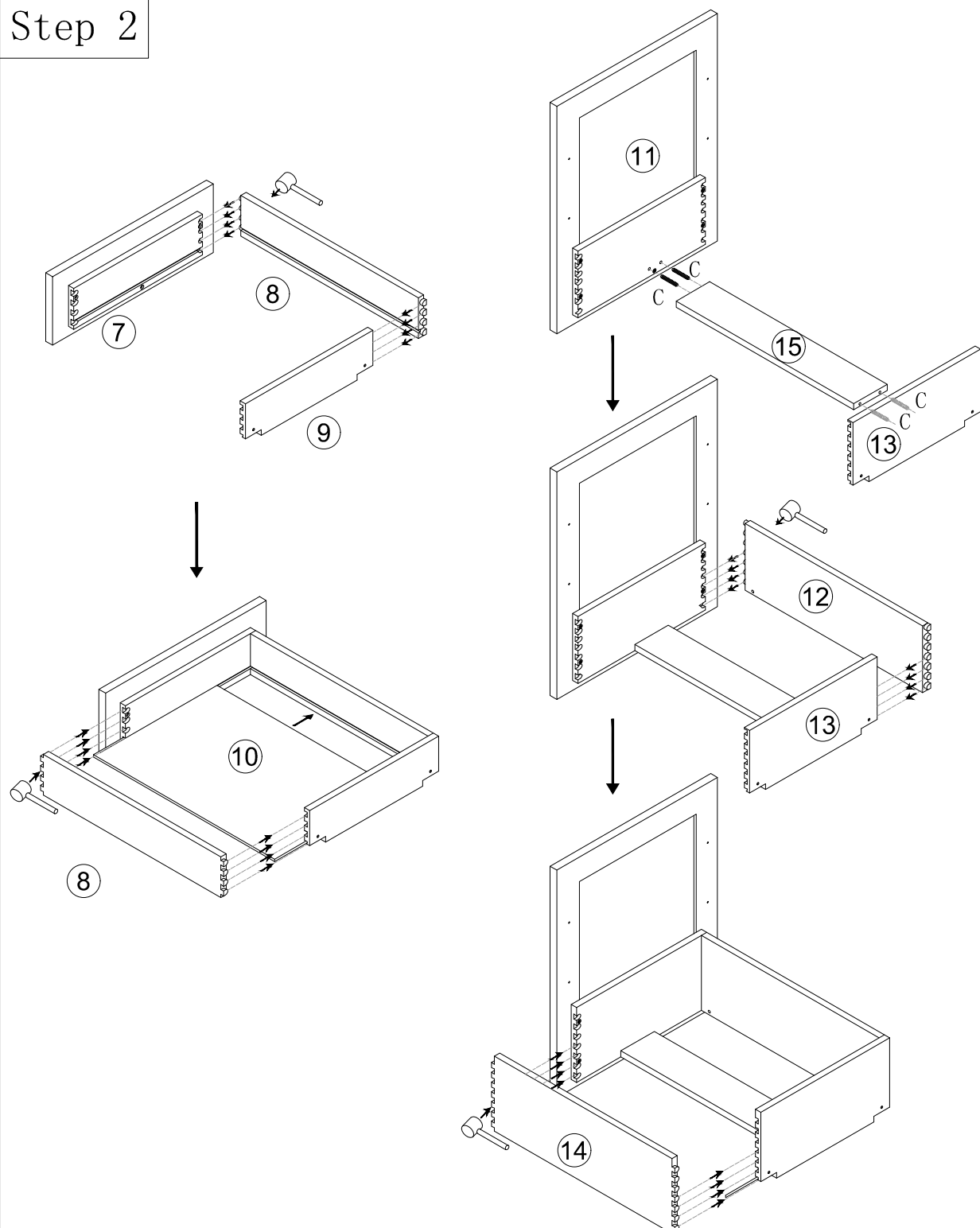
NO.	Parts	QTY
A		10
B		10
C		4
D		24
E		4
F		1

NO.	Parts	QTY
G		50
H		4
I		2
J		2
K		1

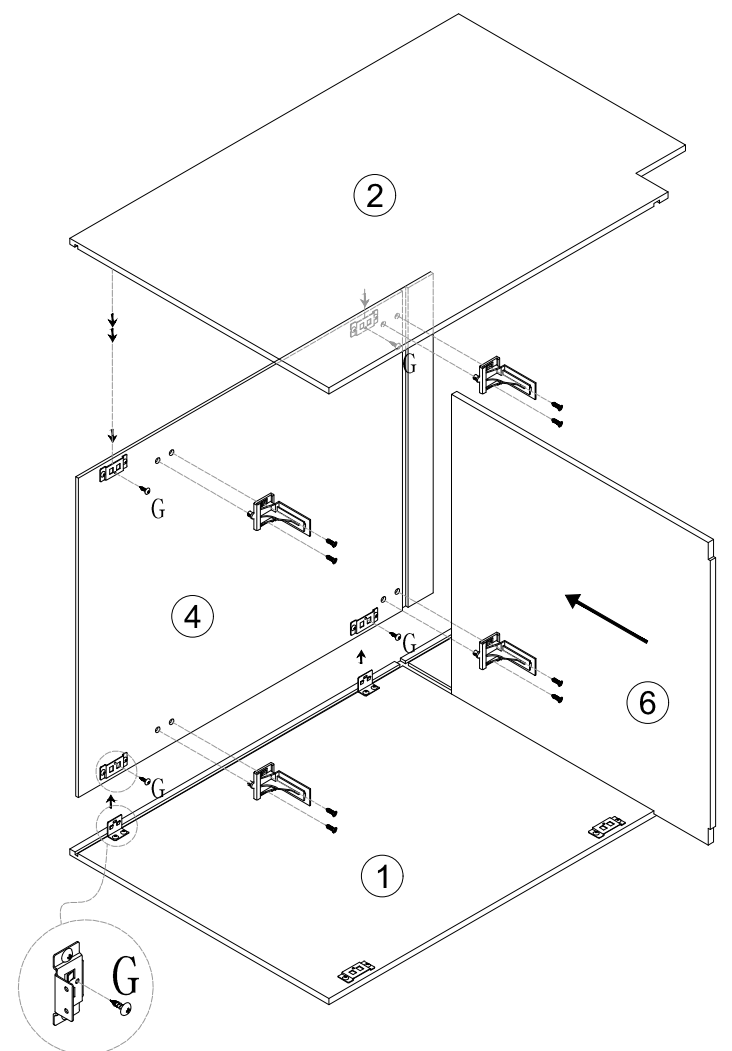
Tools (required but not provided)



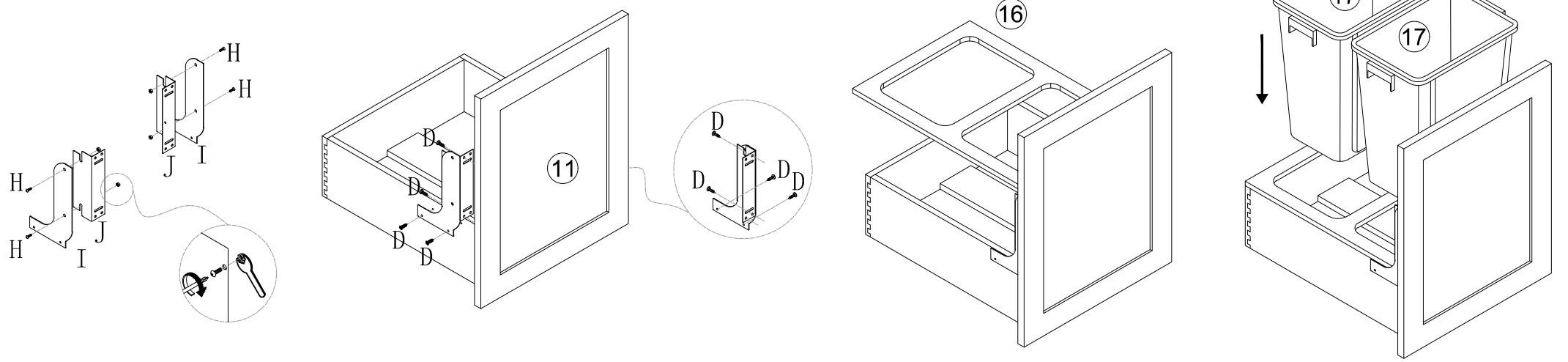
Step 2



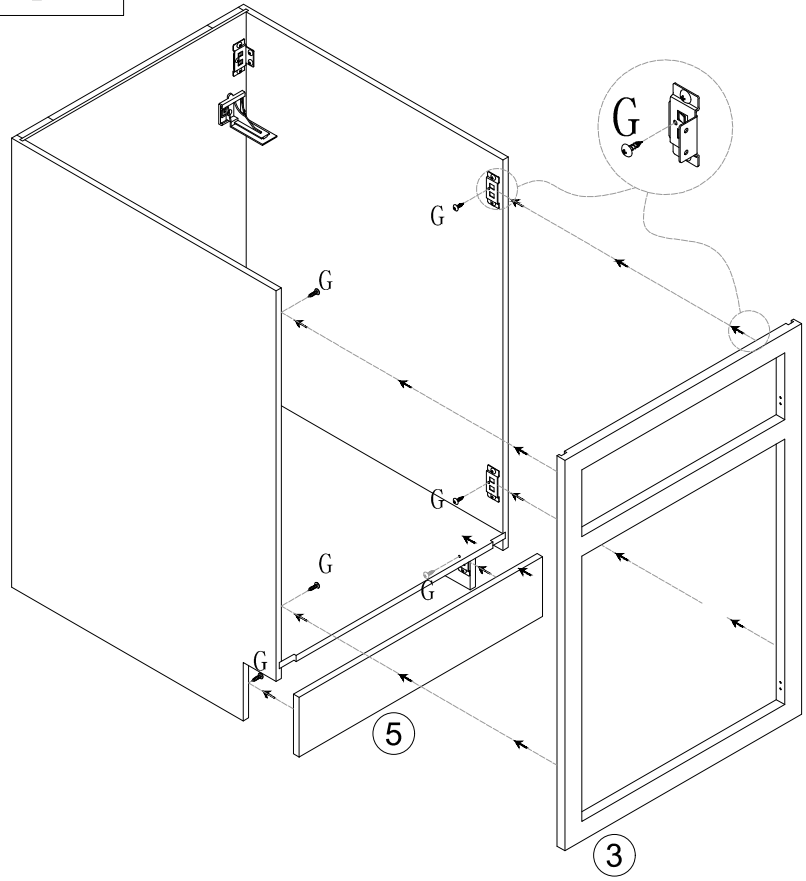
Step 3



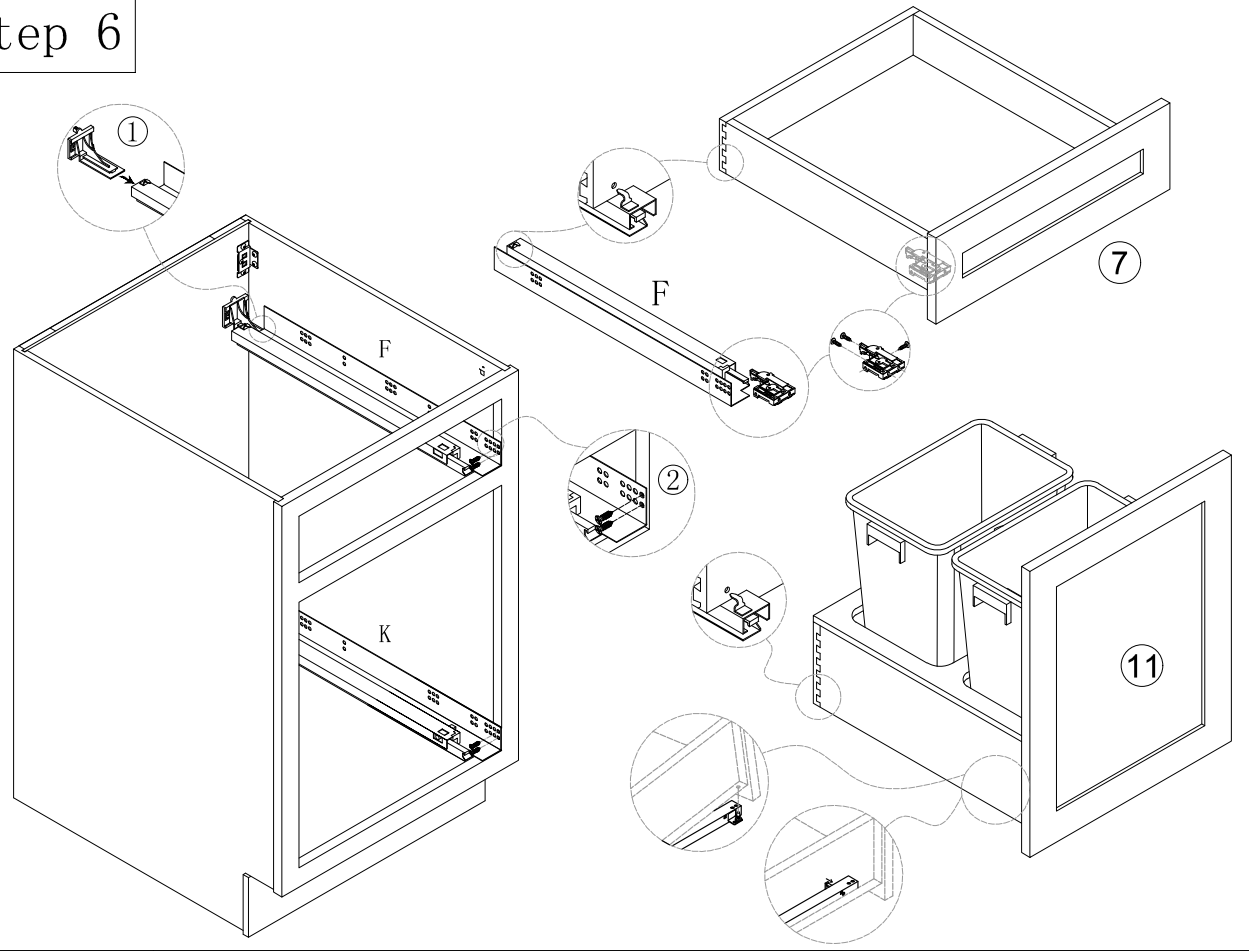
Step 4



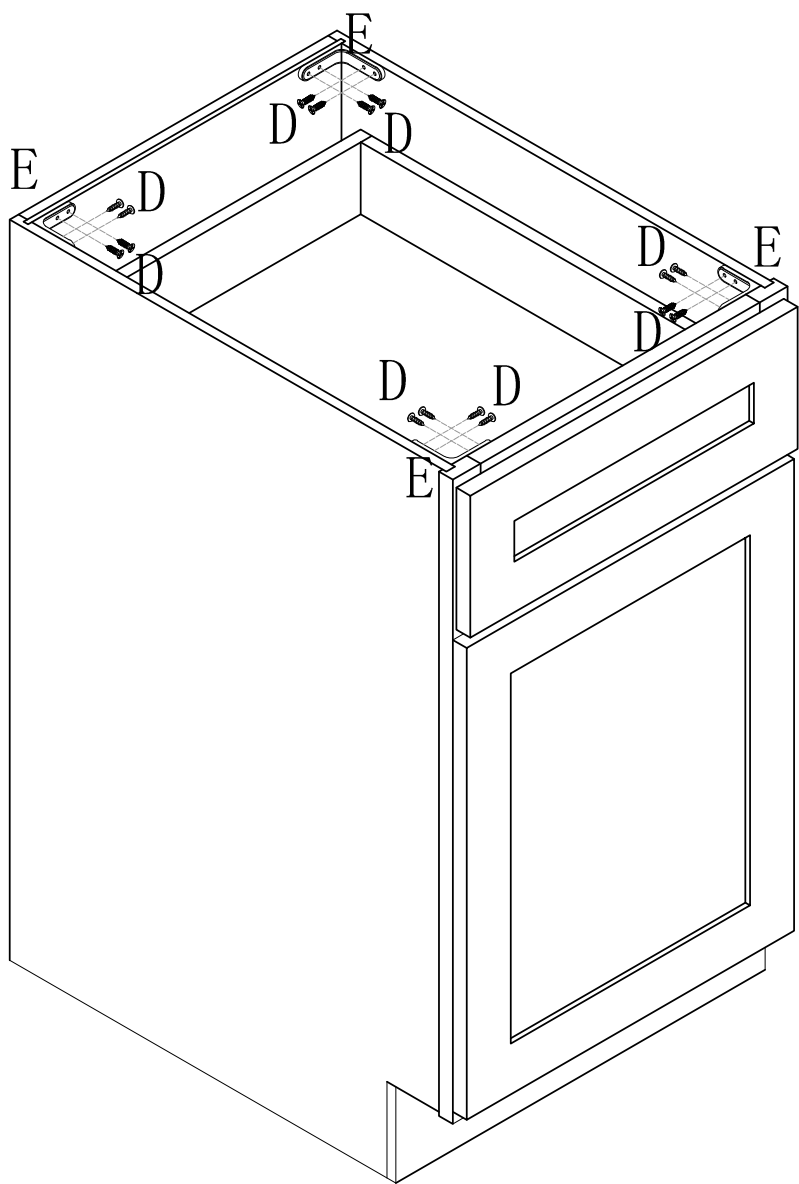
Step 5



Step 6



Step 7



Finished

